

PARTS LIST

BC420
AMA

CONTENTS

1 • MAIN BODY	1 ~ 2
2 • GEARCASE	3 ~ 4
3 • ENGINE (CRANKCASE, CYLINDER).....	5 ~ 8
4 • ENGINE (CARBURETOR, FUEL TANK).....	9 ~ 10
5 • ACCESSORIES	11

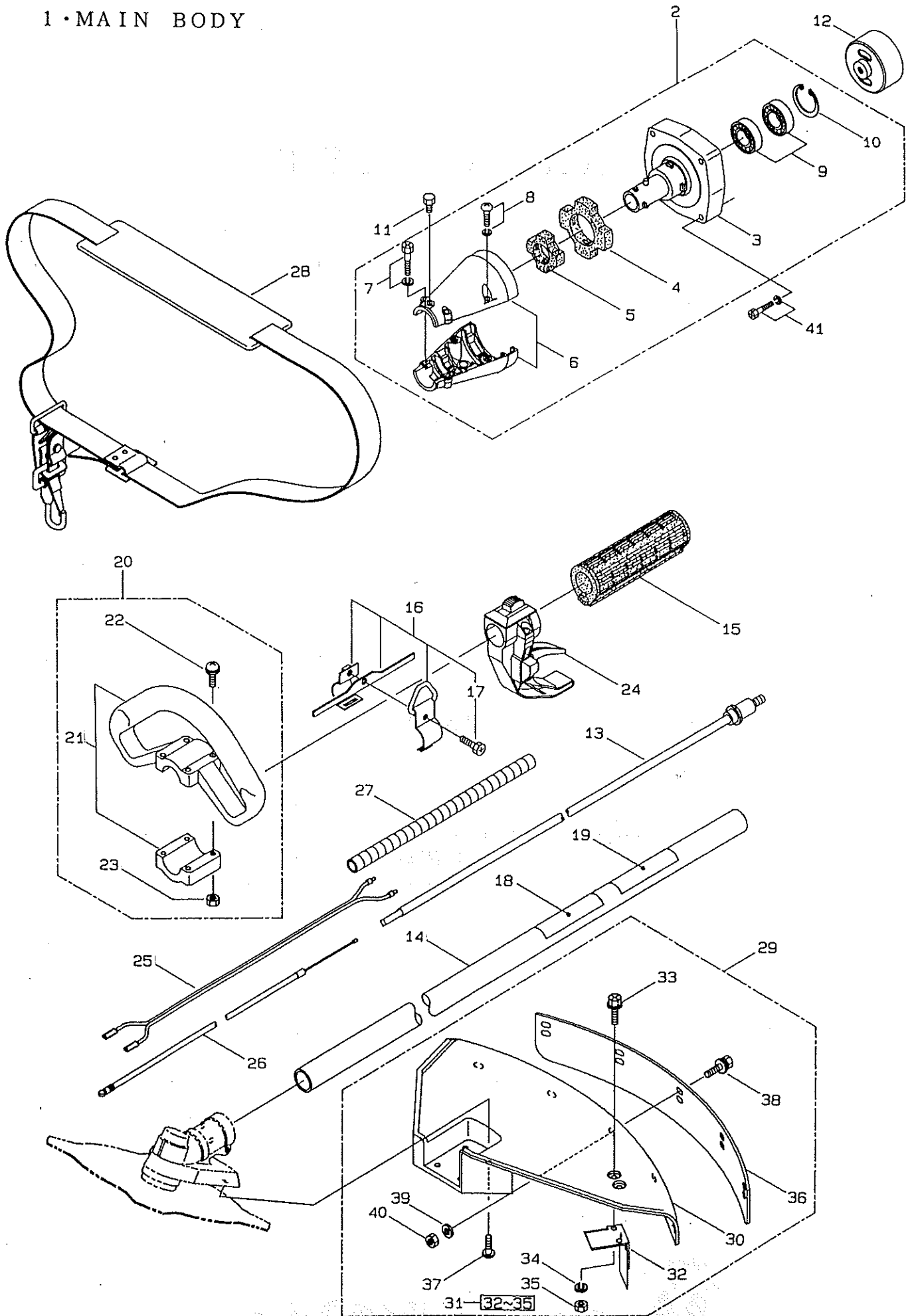
1996. 01.



MARUYAMA

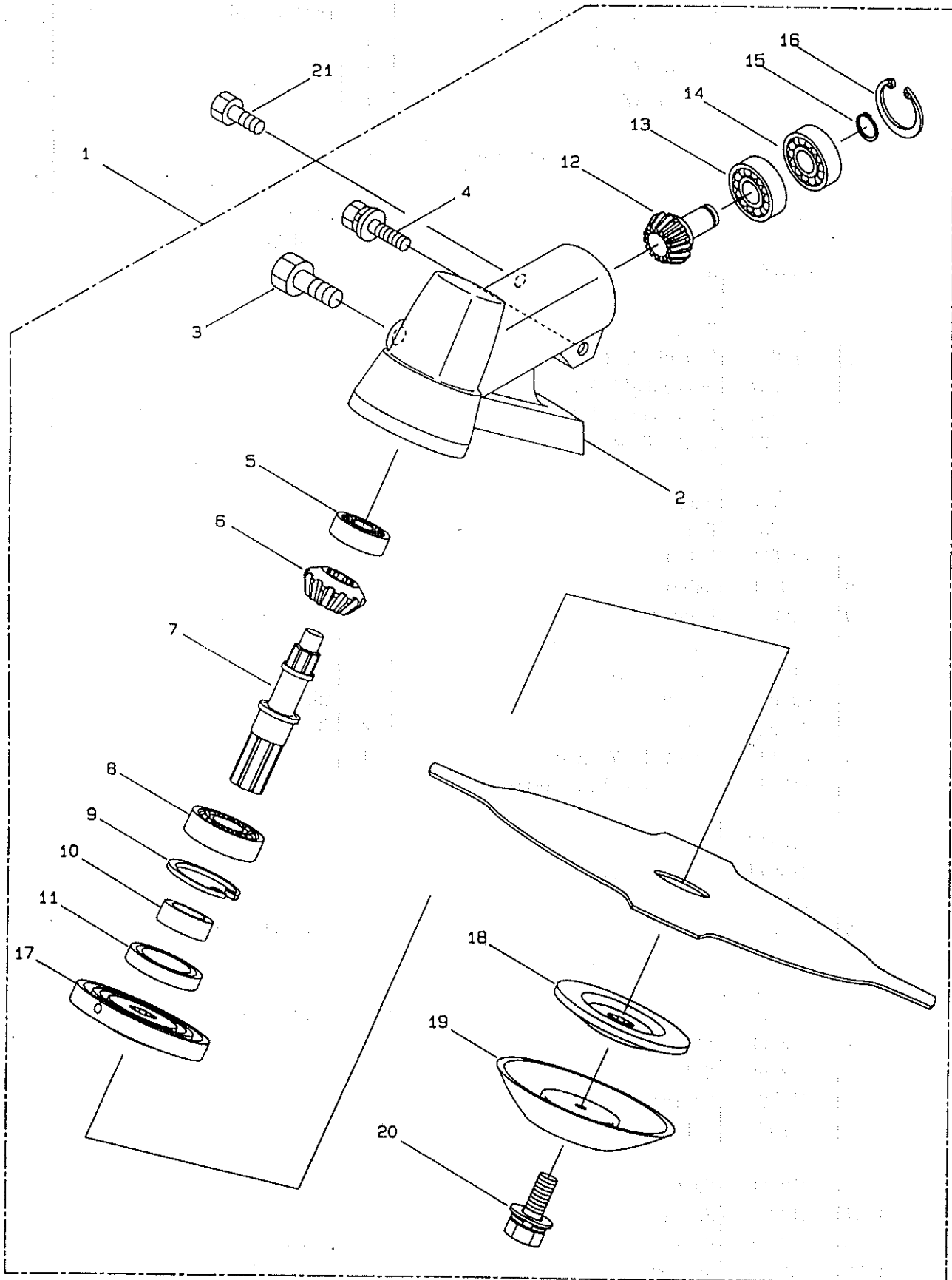
P/N 520703

1 • MAIN BODY



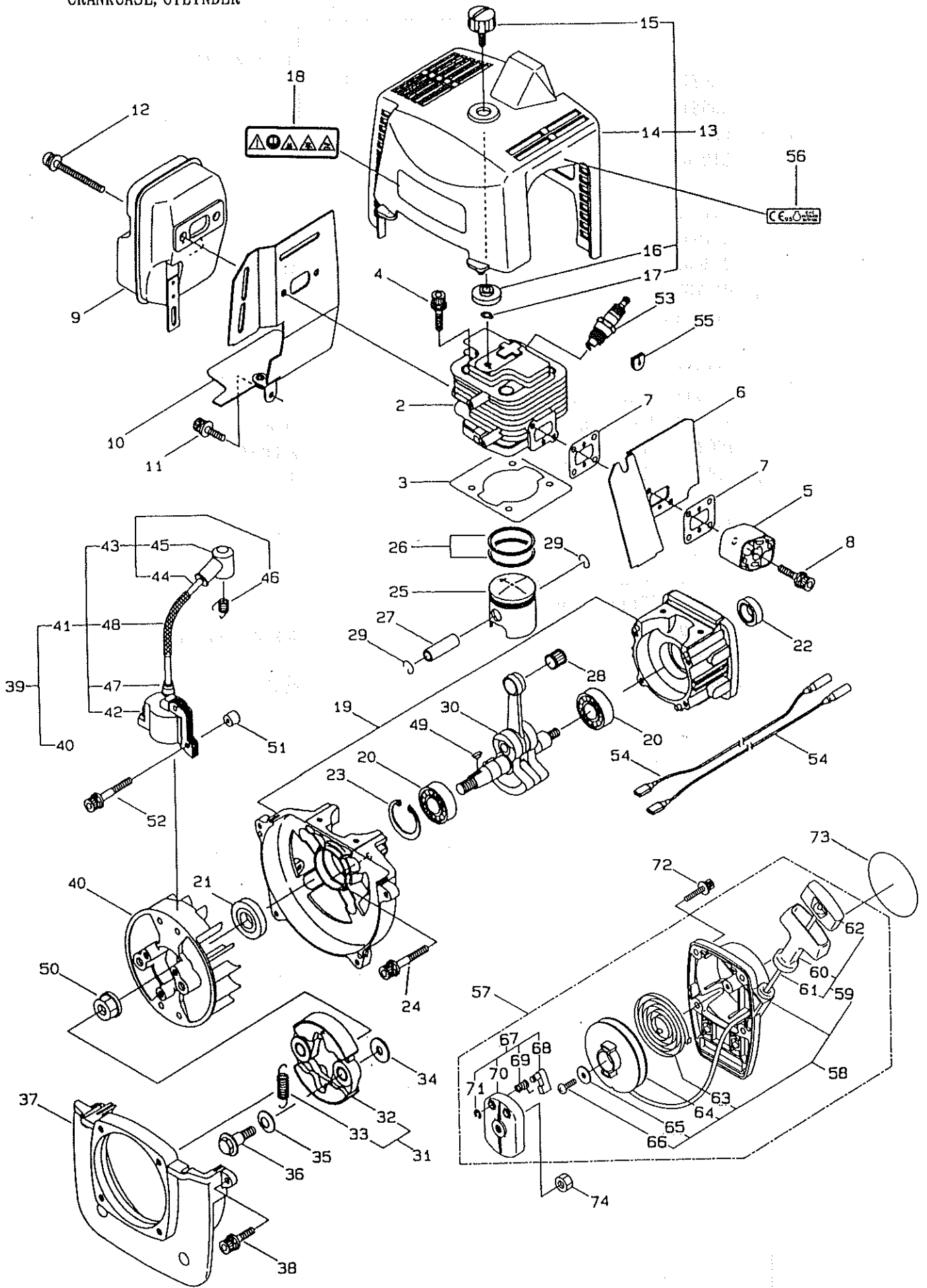
Ref. No	Part No.	Part Name	Q'ty	Remarks
1- 1	347525	BC420	1	AMA
1- 2	211680	Clutch Case Ass'y	1	Incl. 3~10
1- 3	211681	Bearing Case	1	
1- 4	211683	Buffer (A)	1	
1- 5	211684	Buffer (B)	1	
1- 6	212731	Driveshaft Tube Adapter	1	
1- 7	092561	Bolt	2	M5x25
1- 8	092082	Screw	2	M5x20
1- 9	151443	Bearing	2	#6001UU
1-10	055185	Snap Ring	1	H28
1-11	089771	Bolt	1	M5x8.5
1-12	211682	Clutch Drum	1	
1-13	211687	Driveshaft Ass'y	1	
1-14	220800	Driveshaft Tube	1	
1-15	215239	Shaft Grip	1	
1-16	220775	Hanging Bracket Ass'y	1	Incl. 17
1-17	089738	Bolt	1	M5x15
1-18	220602	Label	1	Caution
1-19	220769	Label	1	BC420
1-20	219031	Loop Handle Ass'y	1	Incl. 21~23
1-21	219032	Loop Handle	1	
1-22	092088	Screw	4	M5x35
1-23	081027	Nut	4	M5
1-24	218149	Throttle Trigger	1	
1-25	213445	Lead Wire, Stop Switch	1	
1-26	215612	Throttle Cable	1	
1-27	214944	Plastic Tube	1	
1-28	220533	Hanging Strap Ass'y	1	
1-29	220096	Safety Cover Ass'y	1	Incl. 30~40
1-30	219129	Safety Cover	1	
1-31	215390	String Cutter Ass'y	1	Incl. 32~35
1-32	215392	String Cutter	1	
1-33	092560	Bolt	2	M5x25
1-34	012501	Spring Washer	2	M5
1-35	081027	Nut	2	M5
1-36	219130	Cover	1	
1-37	816024	Screw	4	M5x12
1-38	092548	Bolt	5	M5x15
1-39	022905	Washer	5	M5
1-40	081027	Nut	5	M5
1-41	092557	Bolt	4	M6x35

2 • GEARCASE



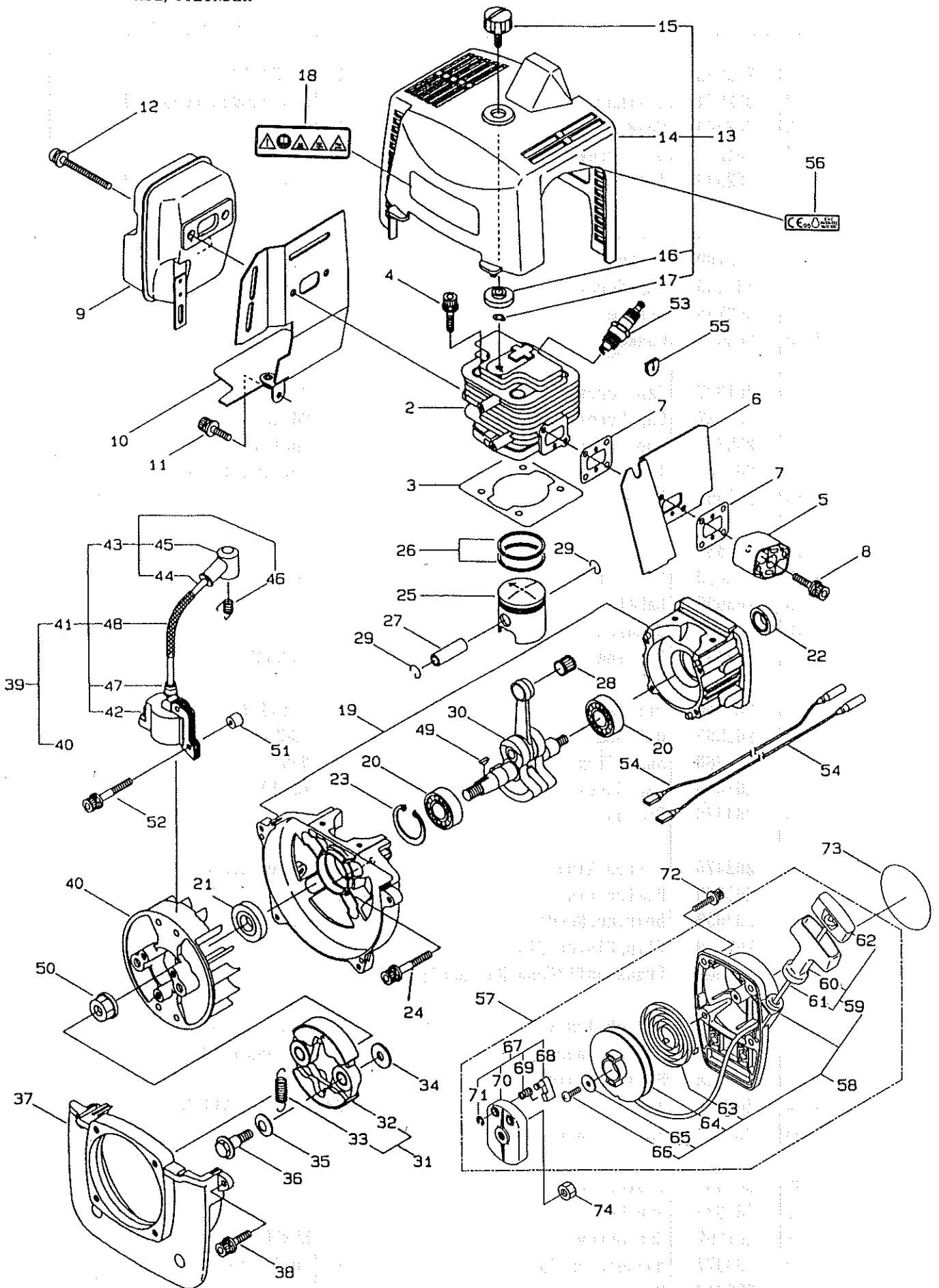
Ref. No	Part No.	Part Name	Q'ty	Remarks
2- 1	220771 ✓	Gearcase Ass'y	1	Incl. 2~20
2- 2	220772 ✓	Gearcase	1	Incl.
2- 3	089845 ✓	Bolt	1	M8x10
2- 4	092556 ✓	Bolt	1	M6x30
2- 5	210560 ✓	Bearing	1	#609
2- 6	211698 ✓	Gear	1	
2- 7	217057 ✓	Blade Shaft	1	
2- 8	022009 ✓	Bearing	1	#6002
2- 9	016732 ✓	Snap Ring	1	H32
2-10	212394 ✓	Collar	1	φ 15x φ 22x8L
2-11	211818 ✓	Oil Seal	1	D22 32 6
2-12	211695 ✓	Pinion Gear	1	
2-13	014490 ✓	Bearing	1	#6000
2-14	106933 ✓	Bearing	1	#6000Z
2-15	014210 ✓	Snap Ring	1	S10
2-16	054676 ✓	Snap Ring	1	H26
2-17	217060 ✓	Boss Adapter	1	
2-18	217061 ✓	Clamping Washer	1	
2-19	210308 ✓	Stabilizer	1	
2-20	215610 ✓	Bolt	1	M8x22, Counterclockwise
2-21	089737 089747 ✓	Bolt	1	⁶ M5x12

3 • ENGINE
CRANKCASE, CYLINDER



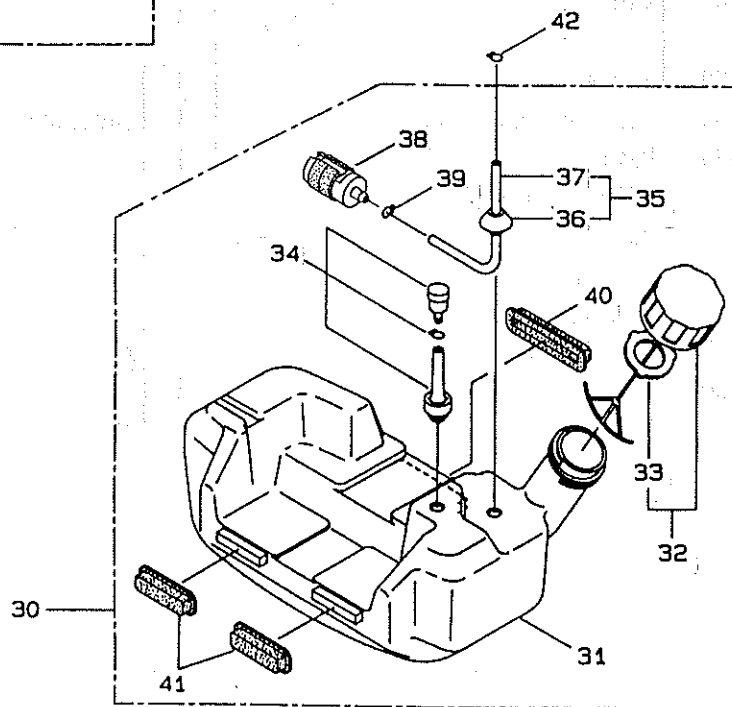
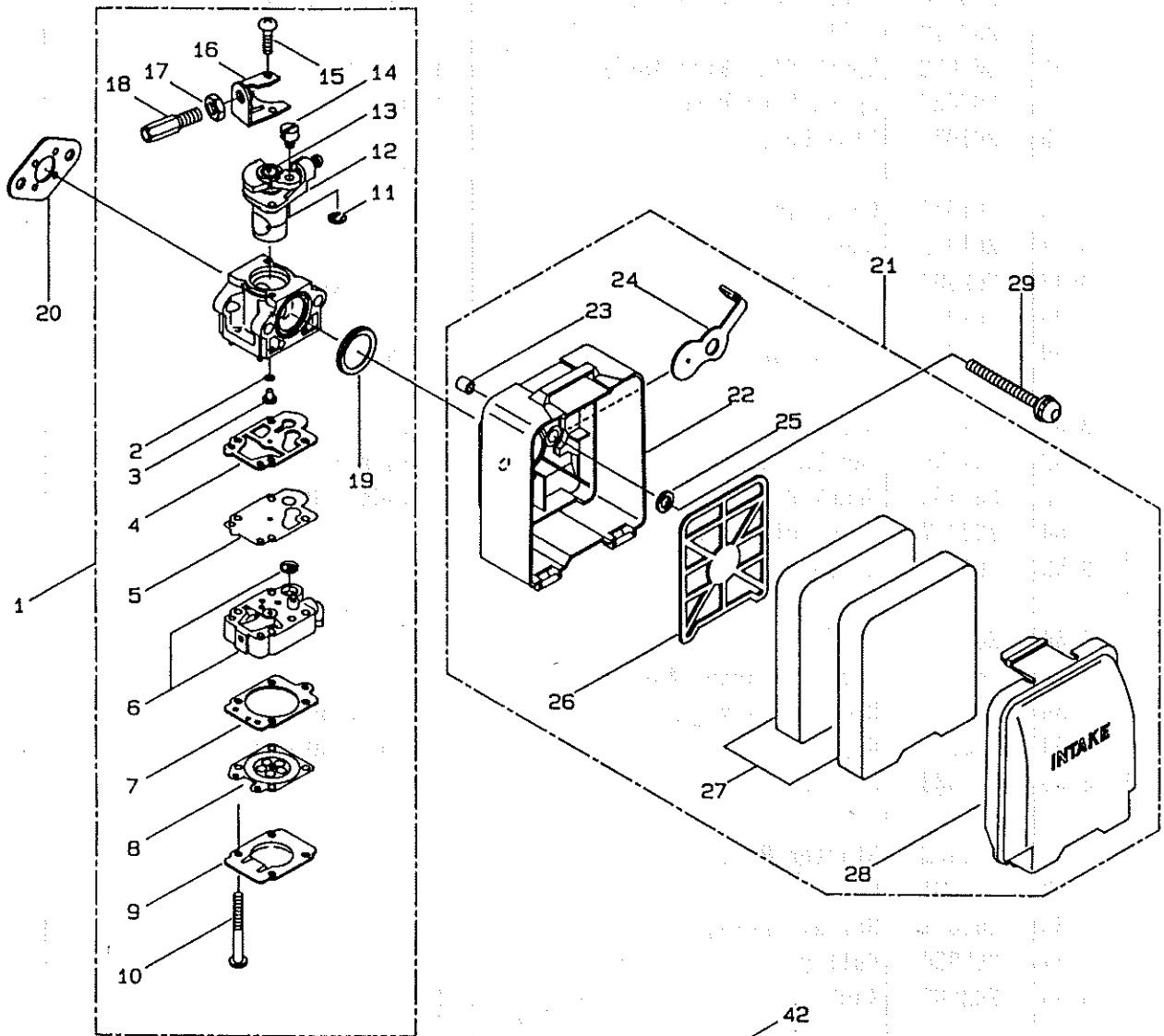
Ref. No	Part No.	Part Name	Q'ty	Remarks
3- 1	265682	Engine	1	AE420/17
3- 2	262544	Cylinder	1	New gasket required
3- 3	262546	Gasket	1	
3- 4	261246	Cap Screw	4	M5x25
3- 5	262548	Insulator	1	New gasket required
3- 6	262550	Air Duct	1	
3- 7	262790	Gasket	2	
3- 8	261246	Cap Screw	2	M5x25
3- 9	262748	Muffler	1	
3-10	262617	Gasket	1	
3-11	261607	Cap Screw	1	M5x16
3-12	262687	Cap Screw	2	M6x65
3-13	265342	Top Cover Ass'y	1	Incl. 14~17
3-14	265343	Top Cover	1	New label required
3-15	262556	Knob	1	
3-16	262689	Spacer	1	
3-17	262690	Snap Ring	1	#6
3-18	265696	Label	1	
3-19	262558	Crankcase	1	
3-20	262658	Bearing	2	#6202C3
3-21	262660	Oil Seal	1	TC15357
3-22	262565	Oil Seal	1	ISCD15257
3-23	012380	Snap Ring	1	H35
3-24	261999	Cap Screw	4	M5x40
3-25	264328	Piston	1	
3-26	262476	Piston Ring	2	(2)Required
3-27	262749	Piston Pin	1	
3-28	262659	Bearing, Needle	1	KTV111414EG01B2
3-29	262479	Clip, Piston Pin	2	
3-30	262567	Crankshaft/Conn. Rod Ass'y	1	
3-31	262577	Clutch Ass'y	1	Incl. 32, 33
3-32	262655	Clutch Shoe	2	(2)Required
3-33	263615	Spring, Clutch	1	
3-34	262683	Washer	2	φ 8X φ 22Xt1.2
3-35	262682	Wave Washer	2	
3-36	262684	Clutch Bolt	2	M8
3-37	264388	Fan Cover	1	
3-38	261250	Cap Screw	4	M5x20
3-39	263077	Magneto Ass'y	1	Incl. 40~48
3-40	262619	Rotor/Fan	1	

3 · ENGINE
CRANKCASE, CYLINDER



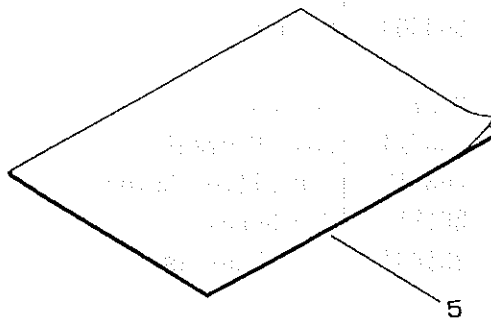
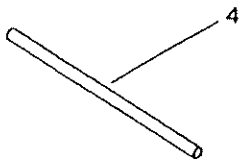
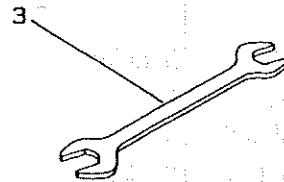
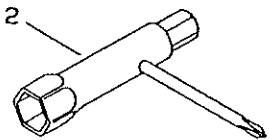
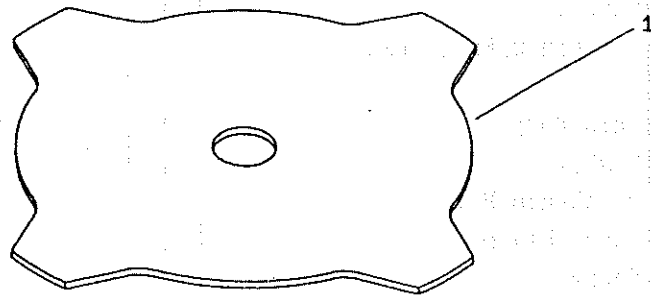
Ref. No	Part No.	Part Name	Q'ty	Remarks
3-41	263078	Ignition Coil Ass'y	1	Incl. 42~48
3-42	263079	Coil	1	
3-43	262622	Spark Plug Wire Ass'y	1	Incl. 44~46
3-44	262623	Spark Plug Wire	1	
3-45	261074	Plug Boot	1	
3-46	261075	Connector	1	
3-47	261072	Cap	1	
3-48	262694	Insulator	1	φ 6x φ 6. 8x100L
3-49	261076	Woodruff Key	1	
3-50	262731	Nut, Rotor	1	M10
3-51	261078	Spacer	2	
3-52	261256	Cap Screw	2	M4x25
3-53	262483	Spark Plug	1	NGK BPMR6Y
3-54	262717	Wire, Coil Ground	2	
3-55	261202	Grommet	1	
3-56	265695	Label	1	
3-57	262584	Recoil Starter Ass'y	1	Incl. 58~71
3-58	262624	Recoil Ass'y	1	Incl. 59~66
3-59	262631	Rope Ass'y	1	Incl. 60~62
3-60	262633	Starter Grip	1	
3-61	262632	Starter Rope	1	
3-62	262981	Cap	1	
3-63	262627	Spiral Spring	1	
3-64	262626	Pulley	1	
3-65	262982	Washer	1	
3-66	262629	Screw	1	
3-67	262634	Starter Pawl Ass'y	1	Incl. 68~71
3-68	262636	Pawl	1	
3-69	262637	Return Spring	1	
3-70	262635	Pawl Case	1	
3-71	262638	E-Ring	1	
3-72	261257	Cap Screw	4	M4x16
3-73	264520	Label	1	
3-74	081040	Nut	1	M8

4 • ENGINE
 CARBURETOR, FUEL TANK



Ref. No	Part No.	Part Name	Q'ty	Remarks
4- 1	263673	Carburetor Ass'y	1	Incl. 2~19
4- 2	261871	O-Ring	1	
4- 3	263247	Main Jet	1	#50
4- 4	262995	Gasket	1	
4- 5	262994	Diaphragm, Fuel Pump	1	
4- 6	263725	Pump Body	1	
4- 7	263727	Gasket	1	
4- 8	261873	Diaphragm, Metering	1	
4- 9	263726	Cover Plate	1	
4-10	263737	Screw	4	
4-11	261876	E-Ring	1	
4-12	263249	Throttle Valve Ass'y	1	
4-13	261652	Plug	1	
4-14	261658	Swivel	1	
4-15	261875	Screw	2	
4-16	263250	Bracket	1	
4-17	261878	Nut	1	
4-18	265409	Adapter	1	
4-19	261657	Packing	1	
4-20	262587	Gasket	1	
4-21	263520	Air Filter Ass'y	1	Incl. 22~28
4-22	263723	Housing	1	
4-23	263715	Sleeve	2	
4-24	263007	Choke Valve	1	
4-25	263000	Washer	1	
4-26	263717	Screen	1	
4-27	263714	Foam Element	2	
4-28	263713	Air Filter Cover	1	
4-29	261814	Cap Screw	2	M5x50
4-30	265684	Fuel Tank Ass'y	1	Incl. 31~41
4-31	263676	Fuel Tank	1	
4-32	265582	Fuel Tank Cap Ass'y	1	Incl. 33
4-33	261105	Gasket	1	
4-34	261696	Breather Ass'y	1	
4-35	263677	Fuel Pipe Ass'y	1	Incl. 36, 37
4-36	261339	Grommet	1	
4-37	262649	Fuel Pipe	1	
4-38	261797	Fuel Filter Ass'y	1	
4-39	261117	Clip	1	
4-40	262697	Pad	1	
4-41	261119	Pad	2	
4-42	261117	Clip	1	

5 • ACCESSORIES



Ref. No	Part No.	Part Name	Q' ty	Remarks
5- 1	054751	Mowing Blade	1	ϕ 255x4
5- 2	210418	Box Spanner	1	13x19x(+)
5- 3	022865	Double-ended Wrench	1	8x10
5- 4	210181	Lever Handle	1	ϕ 3.5x170L
5- 5	220951	Instruction Manual	1	